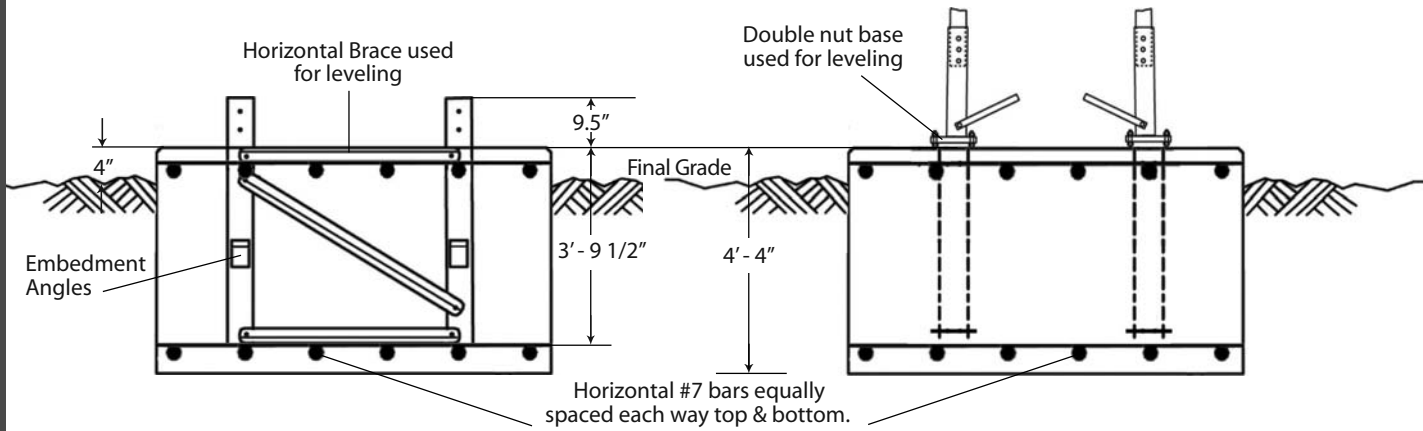
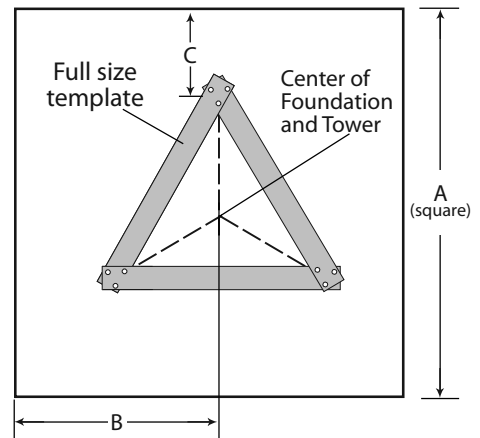
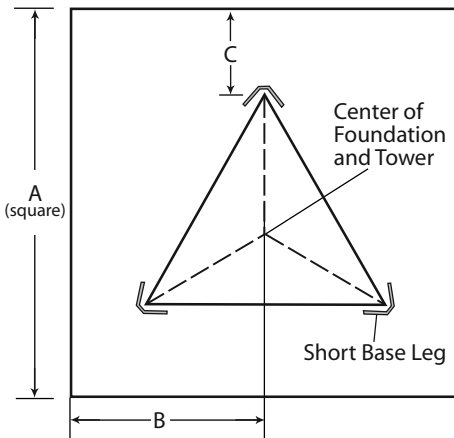


FOUNDATION INFORMATION



SHORT BASE

ANCHOR BASE



Anchor base option includes: full-size template, anchor bolt lower template, anchor bolts and leg stubs.

SHORT BASE

(Ordered separately from tower)

STANDARD FOUNDATION INFORMATION

(Used with short base and anchor base options)

ANCHOR BASE

(Ordered separately from tower)

Short Base Section
RSB02
RSB03
RSB04
RSB05
RSB06
RSB07
RSB08
RSB09
RSB10

Tower Base Section	Dimensions			Concrete (Cu. Yds)	No. 7 Bars Req.
	A	B	C		
2	7' - 6"	3' - 9"	2' - 5"	9.0	32
3	7' - 9"	3' - 10 1/2"	2' - 5"	9.6	40
4	8' - 0"	4' - 0"	2' - 5"	10.3	40
5	8' - 3"	4' - 1 1/2"	2' - 5"	10.9	40
6	8' - 6"	4' - 3"	2' - 4"	11.6	40
7	8' - 6"	4' - 3"	2' - 3"	11.6	40
8	9' - 6"	4' - 9"	2' - 7"	14.5	40
9	9' - 9"	4' - 10 1/2"	2' - 7"	15.3	48
10	10' - 0"	5' - 0"	2' - 7"	16.0	48

Leg Stubs & Anchors
RAL02
RAL03
RAL04
RAL05
RAL06
RAL07
RAL08
RAL09
RAL10

Standard foundations illustrated are for general information purposes only. Actual details are provided with tower assembly drawings.

